

E-Series Padlock

SBE - Sliding Bolt



Application

High Security padlock for general use.

Operation

Rotate key 65° to unlock.

Options

- Different bolt diameters
- Different clearances

Materials

Body: case hardened steel
 Bolt: hardened boron alloy steel
 Finish: black electrophoretic

Additional features

- Rotating disk to resist drilling.
- Protective shutter to prevent dust contamination.
- Durable and corrosion-resistant
- Spring loaded bolt for easy use

Cylinder mechanism

Mul-T-Lock's unique high precision pin tumbler system. Pick and drill resistant for High Security needs.

Keys

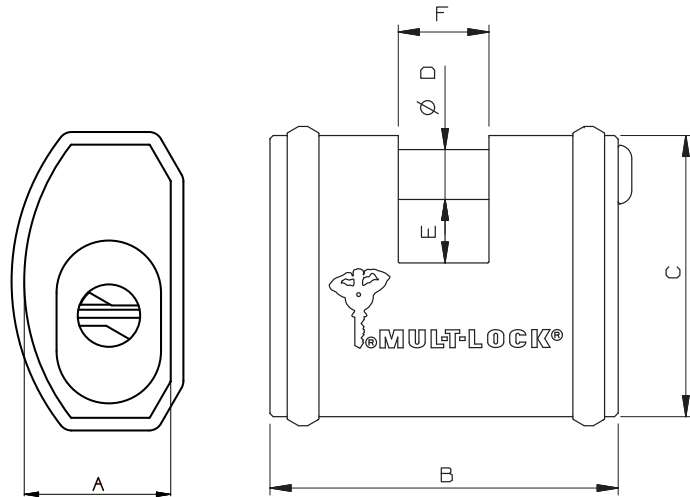
Reversible nickel silver key with plastic key head and colored insert for identification. Also available in all nickel silver.

Key security

Keys marked "DO NOT DUPLICATE" may only be duplicated upon presentation of a key card.

Cylinder options

- Interactive®, MT5® platforms
- Keyed different, keyed alike
- Master keyed
- '3 IN 1' (changeable combination).



Model number		Body			Bolt & Clearance		
		A	B	C	D	E	F
SBE 11 P	mm	34	77	62	11	14	20
	Inch	1.3	3	2.4	0.4	0.5	0.8
SBE 11 R	mm	34	77	62	11	14	28
	Inch	1.3	3	2.4	0.4	0.5	1.1
SBE 13 P	mm	34	86	72	13	15	25
	Inch	1.3	3.4	2.8	0.5	0.6	0.9
SBE 13 R	mm	34	86	72	13	18.5	36
	Inch	1.3	3.4	2.8	0.5	0.7	1.4

R- regular

P- optimal for use with pad-bar